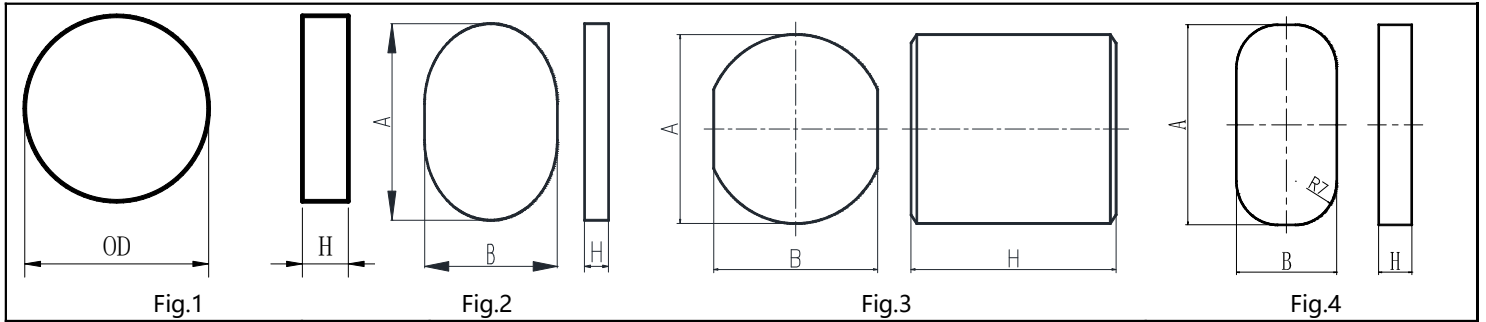


## Z型功率铁氧体产品系列



规格Type	图形Fig	尺寸Dimensions(mm)		重量(克/付)
		OD/A/B	H	Wt(g/set)
Z11.2*3.0	1	11.2±0.20	3.00±0.05	1.70
Z12.00X1.5	1	12.00±0.20	1.50±0.05	1.50
Z12.00X2.0	1	12.00±0.20	2.00±0.05	1.50
Z12.00X2.5	1	12.00±0.20	2.50±0.05	1.90
Z12.00X3.0	1	12.00±0.20	3.00±0.05	1.95
Z12.00X4.0	1	12.00±0.20	4.00±0.05	2.50
Z13.45X2.0	1	13.45±0.25	2.00±0.05	1.70
Z13.45X2.5	1	13.45±0.25	2.50±0.05	2.10
Z13.45X3.0	1	13.45±0.25	3.00±0.05	2.50
Z13.45X5.5	1	13.45±0.25	5.50±0.05	4.10
Z13.45X6.0	1	13.45±0.25	6.00±0.05	4.50
Z13.45X6.5	1	13.45±0.25	6.50±0.05	4.86
Z13.45X7.0	1	13.45±0.25	7.00±0.05	5.20
Z14.30X2.5	1	14.30±0.25	2.50±0.05	2.35
Z14.30X3.0	1	14.30±0.25	3.00±0.05	2.77
Z14.30X3.5	1	14.30±0.25	3.50±0.05	3.26
Z15.00X2.5	1	15.00±0.30	2.50±0.05	2.60
Z15.00X3.5	1	15.00±0.30	3.50±0.05	3.65
Z15.00X5.0	1	15.00±0.30	5.00±0.05	5.25
Z15.00X7.15	1	15.00±0.30	7.15±0.05	6.60
Z15.00X7.4	1	15.00±0.30	7.40±0.05	6.85
Z16.00X2.0	1	16.00±0.30	2.00±0.05	2.36
Z16.00X2.5	1	16.00±0.30	2.50±0.05	2.92
Z17.00X3.0	1	17.00±0.35	3.00±0.05	3.70
Z17.00X5.25	1	17.00±0.35	5.25±0.05	6.50
Z17.00X10.0	1	17.00±0.35	10.0±0.05	11.95
Z20.00X5.0	1	20.00±0.35	5.00±0.05	9.15
Z13.5*11	2	A:13.5±0.25 B:11±0.2	2.00±0.05	1.30
Z22*30*20	3	A:22+0.25/-0.4 B:20±0.3	20.00±0.4	37.20
Z22*30*25	3	A:22+0.25/-0.4 B:20±0.3	25.00±0.4	46.00
Z32.0X17.0X5.0	4	A:32±0.5 B:17±0.2	5.60±0.10	13.50

注: AL值测试条件:1KHz、0.3V、100Ts。(Remark:Testing conditon for AL:1KHz、0.3V、100Ts.)

以上为本公司标准规格,可根据客户特殊要求进行设计。(The above is the usually type, we can redesign according to costomer's request